

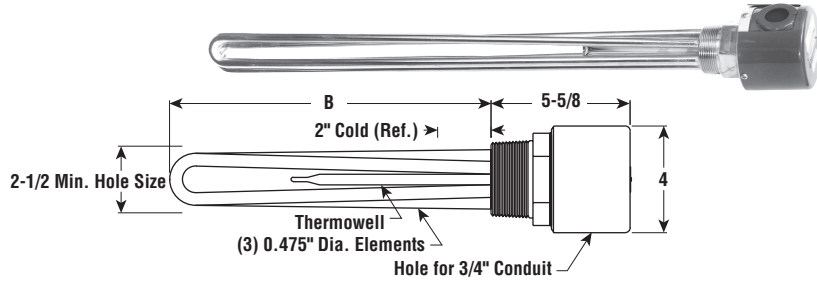
Immersion

MT-3

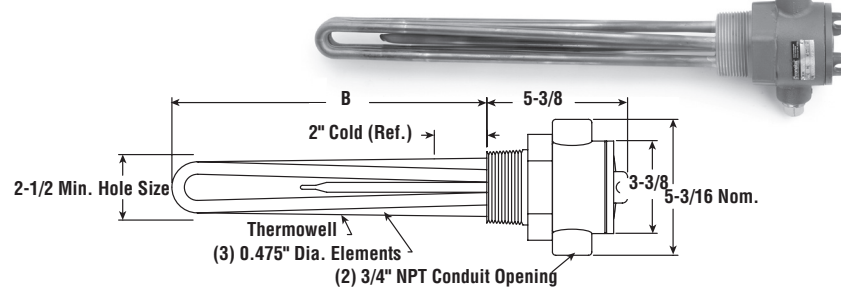
Clean Water Applications (cont'd.)

- 2-1/2" NPT Brass Screw Plug
- Copper Sheath Elements
- High Watt Density (46 - 53 W/In²)
- 3 - 18 kW
- Without Thermostat
- 120, 208 and 480 Volt, 1 and 3 Phase
- General Purpose, Moisture Resistant/Explosion Resistant Terminal Enclosure or Moisture Resistant

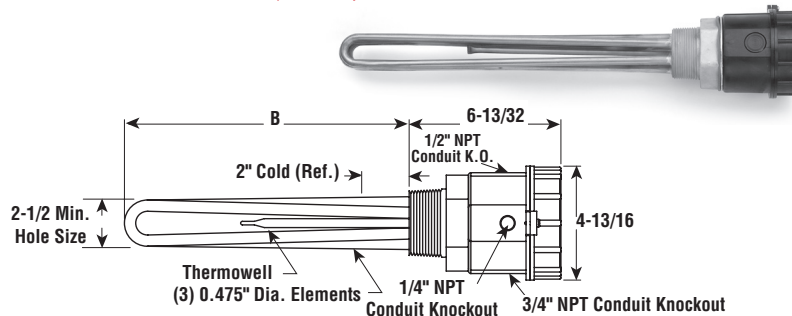
E1 — Dimensions (Inches)



E2 — Dimensions (Inches)



E4TP — Dimensions (Inches)



Specifications and Ordering Information

						E1 General Purpose ¹				E2 Moisture Resistant/Explosion Resistant ²				E4 Moisture Resistant			
kW	Volts	Phase	W/In ²	No. Elem.	DIM. B (In.)	Model	Stock	PCN	Wt. (Lbs.)	Model	Stock	PCN	Wt. (Lbs.)	Model	Stock	PCN	Wt. (Lbs.)
12	208	1	46	3	32-5/16	MT-3120A	NS	322501	13	MT-3120E2	NS	322510	16	MT-3120E4TP	NS	063693	13
12	208	3	46	3	32-5/16	MT-3120A	NS	322528	13	MT-3120E2	NS	322536	16	MT-3120E4TP	NS	063706	13
12	240	1	46	3	32-5/16	MT-3120A	NS	322544	13	MT-3120E2	NS	322552	16	MT-3120E4TP	NS	063714	13
12	240	3	46	3	32-5/16	MT-3120A	NS	322560	13	MT-3120E2	NS	322579	16	MT-3120E4TP	NS	063722	13
12	480	1	46	3	32-5/16	MT-3120A	NS	322587	13	MT-3120E2	NS	322595	16	MT-3120E4TP	NS	063730	13
12	480	3	46	3	32-5/16	MT-3120A	NS	322608	13	MT-3120E2	NS	322616	16	MT-3120E4TP	NS	063749	13
15	208	1	46	3	39-3/4	MT-3150A	NS	322624	14	MT-3150E2	NS	322632	17	MT-3150E4TP	NS	063757	14
15	208	3	46	3	39-3/4	MT-3150A	NS	322640	14	MT-3150E2	NS	322659	17	MT-3150E4TP	NS	063765	14
15	240	1	46	3	39-3/4	MT-3150A	NS	322667	14	MT-3150E2	NS	322675	17	MT-3150E4TP	NS	063773	14
15	240	3	46	3	39-3/4	MT-3150A	NS	322683	14	MT-3150E2	NS	322691	17	MT-3150E4TP	NS	063781	14
15	480	1	46	3	39-3/4	MT-3150A	NS	322704	14	MT-3150E2	NS	322712	17	MT-3150E4TP	NS	063790	14
15	480	3	46	3	39-3/4	MT-3150A	NS	322720	14	MT-3150E2	NS	322739	17	MT-3150E4TP	NS	063802	14
18	208	3	46	3	47-1/4	MT-3180A	NS	322747	15	MT-3180E2	NS	322755	18	MT-3180E4TP	NS	063810	15
18	240	1	46	3	47-1/4	MT-3180A	NS	322763	15	MT-3180E2	NS	322771	18	MT-3180E4TP	NS	063829	15
18	240	3	46	3	47-1/4	MT-3180A	NS	322780	15	MT-3180E2	NS	322798	18	MT-3180E4TP	NS	063837	15
18	480	1	46	3	47-1/4	MT-3180A	NS	322800	15	MT-3180E2	NS	322819	18	MT-3180E4TP	NS	063845	15
18	480	3	46	3	47-1/4	MT-3180A	NS	322827	15	MT-3180E2	NS	322835	18	MT-3180E4TP	NS	063853	15

Specify model, volts, phase, kW, PCN and quantity.

1. Heaters with General Purpose Enclosures are UL Listed and CSA Certified.
2. Heaters with Moisture Resistant/Explosion Resistant Enclosures are CSA NRTL/C Certified.
3. Not UL Listed, CSA Certified or cCSA_{US}® Certified (Exceeds 48 Amps).

FASTShip

Same-day shipping on stock item orders received before 4 pm CST. 3-day shipping on assembly-stock items.